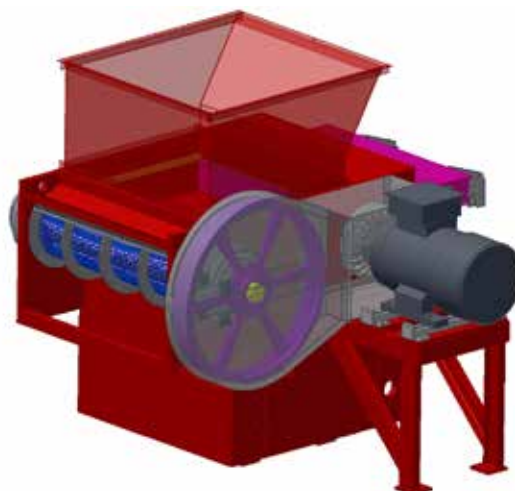


KRF shredders are the evolution of KR in terms of speed of operation.

As the KR, they stand for strength, versatility, reliability, high production with low hourly operating and management costs, as well as ease of maintenance.

Perfect for RDF.

Ø from 10 to 30mm



Capacity up to 20.000 kg/h

Innovative design of the shaft and the blades

Optimal for homogeneous materials free from metals

Models:

	from	to
Rotor length	1500 mm	2.800 mm
Rotor diameter	440 mm	730 mm
Motor	45 kW	250 kW
Grid holes	10 mm	100 mm
Production	up to 20.000 kg/h	

